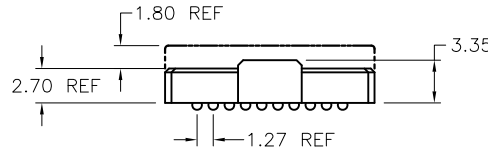
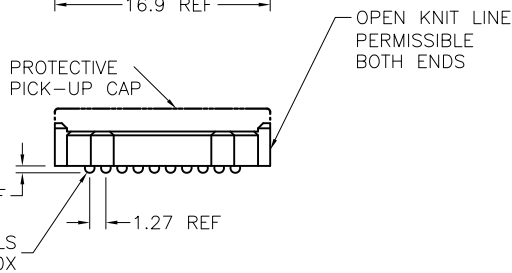
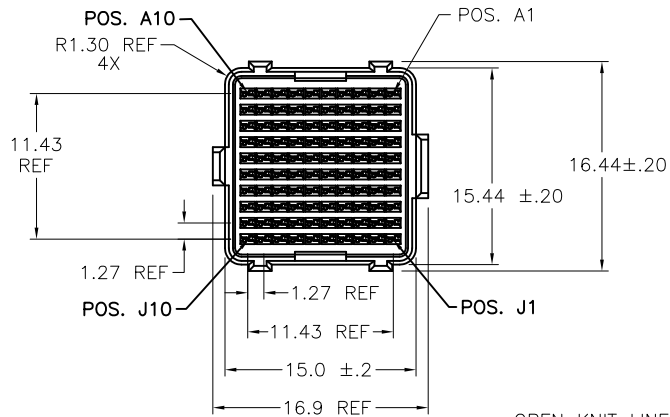


PRODUCT NUMBER	PICK-UP CAP (NATURAL OR BLACK COLOR)	CONTACT PLATING AND THICKNESS	SOLDER BALL	NOTES
84513-001	YES	15u" (.38um) Au	SnPb	
84513-001LF	YES	15u" (.38um) Au	LEAD FREE	5
84513-091	YES	15u" (.38um) GXT	SnPb	
84513-091LF	YES	30u" (.76um) GXT	LEAD FREE	5
84513-101	YES	30u" (.76um) Au	SnPb	
84513-101LF	YES	30u" (.76um) Au	LEAD FREE	5
84513-191	YES	30u" (.76um) GXT	SnPb	
84513-191LF	YES	30u" (.76um) GXT	LEAD FREE	5
84513-201	YES	50u" (1.27um) Au SPECIAL	SnPb	3
84513-201LF	YES	50u" (1.27um) Au SPECIAL	LEAD FREE	3 AND 5
84513-291	YES	50u" (1.27um) GXT SPECIAL	SnPb	3
84513-291LF	YES	50u" (1.27um) GXTSPECIAL	LEAD FREE	3 AND 5
84513-301	YES	15u" (.38um) Au SPECIAL	SnPb	6
84513-301LF	YES	15u" (.38um) Au SPECIAL	LEAD FREE	5 AND 6
84513-401	YES	30u" (.76um) Au SPECIAL	SnPb	6
84513-401LF	YES	30u" (.76um) Au SPECIAL	LEAD FREE	5 AND 6
84513-501	YES	Au SPECIAL	SnPb	3 AND 6
84513-501LF	YES	Au SPECIAL	LEAD FREE	3, 5 AND 6



mat'l. code		surface		tolerance		projection		product family	
-		ASME Y14.5		ASME Y14.5		ASME Y14.5		MEG-Array	
ltr	ecn no	dr	date	tolerances unless otherwise specified		MM		title	
H	V07-0663	LP	2007-10-29	angles	X ±3	1:1		4mm RECEPT. ASSY.	
J	V12-0026	DCH	2012-05-11	flatness	XX ±.10	1:1		10 X 10 = 100 POS.	
K	V12-0030	RE	2012-08-09	0° ±2'	XXX ±.050	1:1		dwg no	
L	V12-0045	DCH	2012-11-19	dr	D.WAUGHEN	2000-03-08		sheet 1 of 3	
-	-	-	-	engr	B.SPINK	2000-03-08		size	
F	V05-1071	DAI	2005-12-21	chr	B.SPINK	2000-03-08		84513	
G	V06-0560	LP	2006-07-14	appd	B.SPINK	2000-03-08		A4	
sheet index		revision	L	L	L			type	
		sheet	1	2	3			CUSTOMER Drawing	

NOTES:

①. MAT'L

HOUSING: LCP
CONTACT: COPPER ALLOY

PLATING

CONTACT: (SEE TABLE ON SHEET1)
SOLDER BALL: (SEE TABLE ON SHEET1)
EUTECTIC SnPb OR LEAD FREE
95.5Sn/4Ag/0.5Cu


2. OVERALL BOARD-TO-BOARD STACK
HEIGHT WHEN MATED TO P/N 84512
100 POSITION 0mm RECPT. IS 4.0mm REF.

③. PLATING FOR INDICATED -2XX SERIES PRODUCT
NUMBERS MEET THE REQUIREMENTS OF
GR-1217-CORE, CENTRAL OFFICE ENVIRONMENT,(25 YEAR LIFE
EXPECTANCY). THE CONTACTS ON THESE PRODUCT NUMBERS
ALSO HAVE SPECIAL CONTACT GEOMETRY.

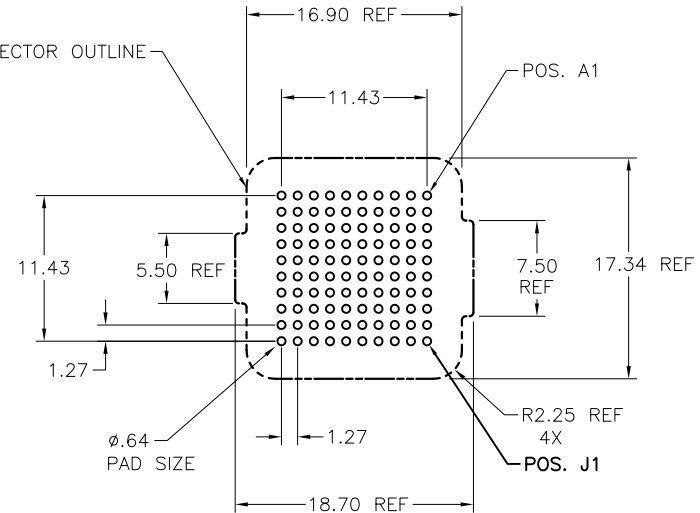
④. FOR PROPER APPLICATION FOLLOW FCI APPLICATION
SPECIFICATION GS-20-033 LEAD FREE SOLDER BALLS WILL
NOT SOLDER PROPERLY IN A LEADED SOLDER PROCESS
DUE TO A HIGHER REFLOW TEMPERATURE. LEAD FREE
PRODUCT IS THEREFORE NOT BACKWARDS COMPATIBLE WITH
LEADED OR SOME SOLDERING APPLICATIONS. REFERENCE
FCI APPLICATION SPECIFICATION

⑤. THIS PRODUCT MEETS EUROPEAN UNION DIRECTIVES AND
OTHER COUNTRY REGULATIONS AS DESCRIBED IN GS-47-0004
PRODUCT MEETING THIS DIRECTIVE IS IDENTIFIED IN THE LOT
CODE NUMBER MARKED ON EACH PART BY HAVING AN "X"
IN THE SEVENTH CHARACTER POSITION

⑥. 84513-301, -301LF, -401, -401LF, -501, AND -501LF
ARE OBSOLETE.

⑩. A  SYMBOL WILL BE NEXT TO ANY DIMENSION, NEW VIEW OR
NOTE WHICH HAS BEEN MODIFIED WITH THE CURRENT
DRAWING REVISION

STENCIL MATED CONNECTOR OUTLINE
ONTO BOARD.



BOARD PATTERN

mat'l. code		surface		tolerance		projection		product family		
-		ASME Y14.5		ASME Y14.5				MEG-Array		
ltr	ecr no	dr	date	tolerances unless otherwise specified						
L				angles	X ±3		MM			
				linear	.XX ±10					
				0° ±2'	XXX ±050		scale 1:1			
				dr	D.VAUGHEN	2000-03-08				
				engr	B.SPINK	2000-03-08				
				chr	B.SPINK	2000-03-08				
				appd	B.SPINK	2000-03-08				
sheet index	revision sheet							dwg no	sheet 2 of 3	size
								84513		A4
								type CUSTOMER Drawing		



Copyright FCI

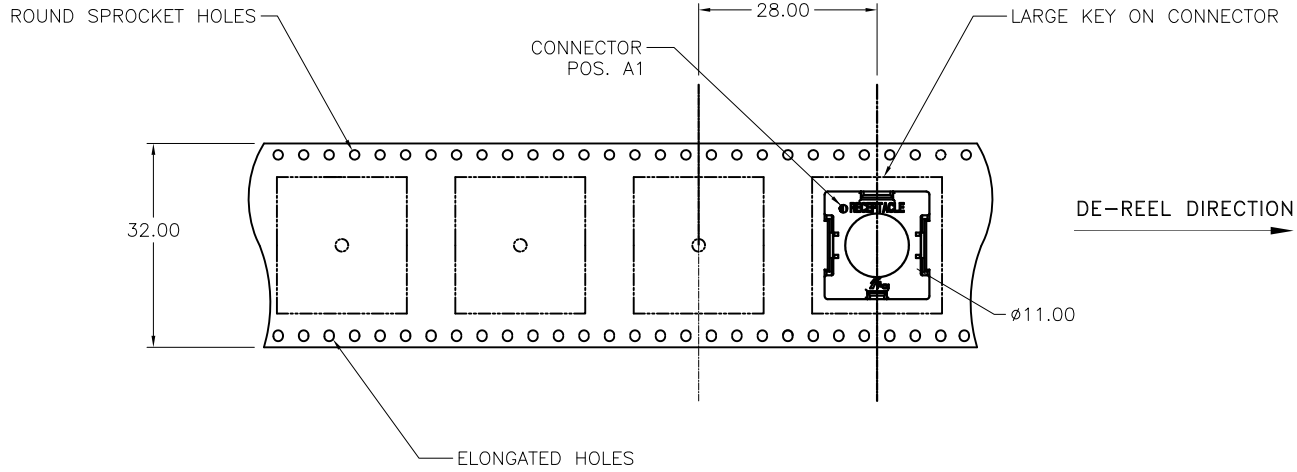
1 | 2



3 |



4



mat'l. code		surface		tolerance		projection		product family	
-		ASME Y14.5		ASME Y14.5				MEG-Array	
ltr	ecn no	dr	date	tolerances unless otherwise specified					
L				angles	mm	X ±3	MM		
				0° ±2'		.XX ±10	scale 1:1		
						XXX ±0.50			
		dr	D.WAUGHEN	2000-03-08					
		enr	B.SPINK	2000-03-08					
		chr	B.SPINK	2000-03-08					
		appd	B.SPINK	2000-03-08					
sheet index	revision sheet								
								title	
								4mm RECEPT. ASSY.	
								10 X 10 = 100 POS.	
								dwg no	
								sheet 3 of 3	
								size	
								A4	
								type	
								CUSTOMER Drawing	

form: A4mmXLC

1 |

2 |

3 |

4

Mouser Electronics

Authorized Distributor

Click to View Pricing, Inventory, Delivery & Lifecycle Information:

[FCI / Amphenol:](#)

[84513-201](#) [84513-101LF](#) [84513-201LF](#) [84513-101](#) [84513-001](#) [84513-001LF](#) [84513-191LF](#) [84513-091LF](#) [84513-191](#) [84513-291](#) [84513-291LF](#) [10123981-002LF](#) [10123981-202LF](#)