



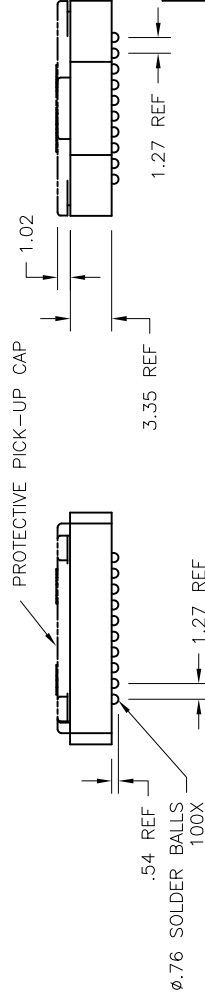
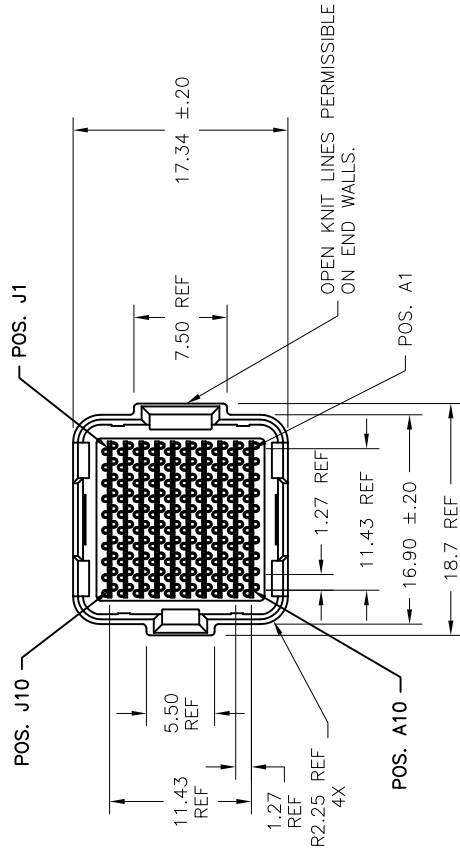
FCIconnect.com

Copyright FCI

1 | 2

3 |

4



PRODUCT No.	PICK-UP CAP (NATURAL OR BLACK COLOR)	CONTACT PLATING AND THICKNESS	SOLDER BALL	NOTES
84512-002	YES	15u" (.38um) Au	SnPb	
84512-002LF	YES	15u" (.38um) Au	LEAD FREE	5
84512-092	YES	15u" (.38um) GXT	SnPb	
84512-092LF	YES	15u" (.38um) GXT	LEAD FREE	5
84512-102	YES	30u" (.76um) Au	SnPb	
84512-102LF	YES	30u" (.76um) Au	LEAD FREE	5
84512-192	YES	30u" (.76um) GXT	SnPb	
84512-192LF	YES	30u" (.76um) GXT	LEAD FREE	5
84512-202	YES	Au SPECIAL	SnPb	3
84512-202LF	YES	Au SPECIAL	LEAD FREE	3 AND 5
84512-292	YES	GXT SPECIAL	SnPb	3
84512-292LF	YES	GXT SPECIAL	LEAD FREE	3 AND 5
84512-302	YES	15u" (.38um) Au SPECIAL	SnPb	6
84512-302LF	YES	15u" (.38um) Au SPECIAL	LEAD FREE	5 AND 6
84512-402	YES	30u" (.76um) Au SPECIAL	SnPb	6
84512-402LF	YES	30u" (.76um) Au SPECIAL	LEAD FREE	5 AND 6
84512-502	YES	Au SPECIAL	SnPb	3 AND 6
84512-502LF	YES	Au SPECIAL	LEAD FREE	3, 5 AND 6

A

B

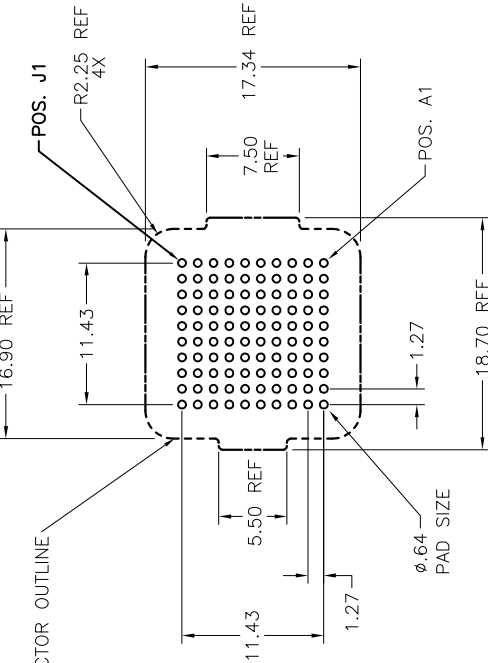
mail code		surface	tolerance	projection	product family
ltr	ec'n no	date	ASME Y14.5	ASME Y14.5	title
H	V12-0030	RE 2002-08-06	tolerances unless otherwise specified	X 4:3	MEG-Array
J	V12-0035	PK 2002-09-27	angles	MM	Omm PLUG ASSY.
K	V12-0043	DCH 2002-11-15	XXX ±.0	scale 1:1	10 X 10 = 100 POSITION
E	V04-0940	VS 2004-10-18	D.WAUGHEN 2000-09-08		sheet 1 of 3 size
F	V06-0560	LP 2006-07-14	B.SPINK 2000-09-08		A4
G	V07-0663	LP 2007-10-29	B.SPINK 2000-09-08		84512
Sheet	REVISION	K K K	B.SPINK 2000-09-08		CUSTOMER Drawing
index	Sheet	1 2 3			

form: A4mmXLC

2

3 |

4



ONTO BOARD.
STENCIL MATED CONNECTOR OUTLINE

NOTES:
①. MAT'L

HOUSING: LCP
CONTACT: COPPER ALLOY

PLATING

CONTACT: (SEE TABLE ON SHEET1)
SOLDER BALL: (SEE TABLE ON SHEET1)
EUTECTIC SnPb OR LEAD FREE
95.5Sn/4Ag/0.5Cu

2. OVERALL BOARD-TO-BOARD STACK HEIGHT WHEN MATED TO P/N 84513 100 POSITION 4.0mm RECP. IS 4.0mm REF.

③. PLATING FOR -2XX SERIES PRODUCT NUMBERS MEET THE REQUIREMENTS OF CENTRAL OFFICE ENVIRONMENT, 25 YEAR LIFE EXPECTANCY. THE CONTACT GEOMETRY IN THESE PRODUCT NUMBERS IS SPECIAL, ALSO

④. FOR PROPER APPLICATION FOLLOW FCI APPLICATION SPECIFICATION GS-20-033 LEAD FREE SOLDER BALLS WILL NOT SOLDER PROPERLY IN A LEADED SOLDER PROCESS DUE TO A HIGHER REFLOW TEMPERATURE. LEAD FREE PRODUCT IS THEREFORE NOT BACKWARDS COMPATIBLE WITH LEADED OR SOME SOLDERING APPLICATIONS. REFERENCE FCI APPLICATION SPECIFICATION

⑤. THIS PRODUCT MEETS EUROPEAN UNION DIRECTIVES AND OTHER COUNTRY REGULATIONS AS DESCRIBED IN GS-47-0004 PRODUCT MEETING THIS DIRECTIVE IS IDENTIFIED IN THE LOT CODE NUMBER MARKED ON EACH PART BY HAVING AN "X" IN THE SEVENTH CHARACTER POSITION

⑥. 84512-302, -302LF, -402, -402LF, -502 AND -502LF ARE OBSOLETE

8. A SYMBOL WILL BE NEXT TO ANY DIMENSION, NEW VIEW OR NOTE WHICH HAS BEEN MODIFIED WITH THE CURRENT DRAWING REVISION

BOARD PATTERN

mat'l. code		surface	tolerance	projection	product family
tit	ecn no	ASME Y14.5	ASME Y14.5		MEG-Array
K	date	Tolerances unless otherwise specified	X ±.3	MM	title
		angles	.XX ±.10		10 X 10 = 100 POSITION
		0° ±.2°	.XXX ±.050	scale 1:1	size
		dr	D.WAUGHEN		A4
		eng	B.SPINK		84512
		chr	B.SPINK		CUSTOMER Drawing
		appd	B.SPINK		
sheet index	revision sheet				



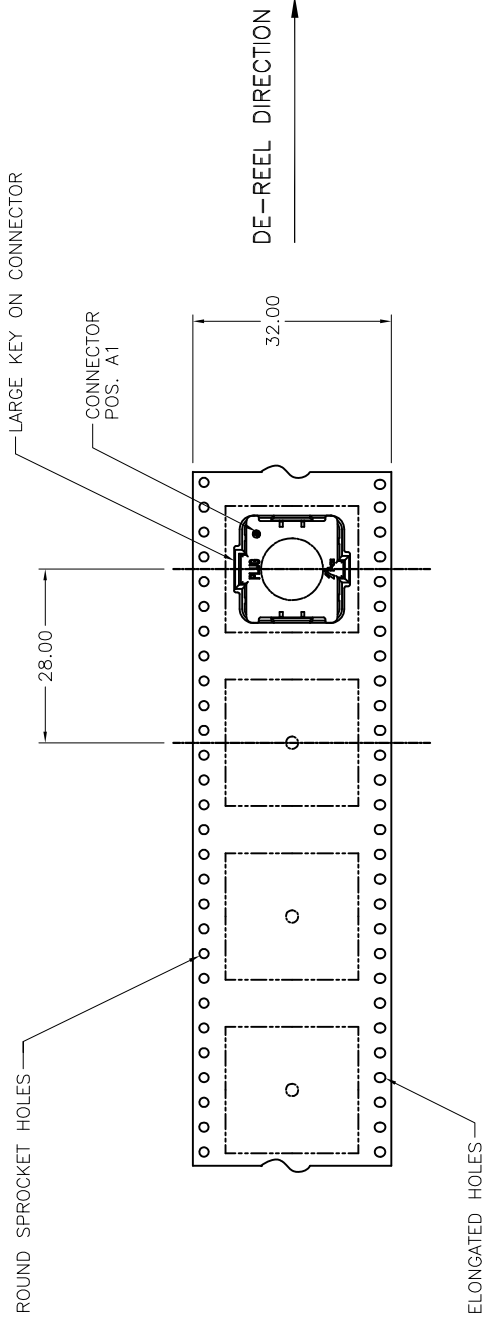
FCJconnect.com

Copyright FCJ

1 | 2

3 |

4



A

A

B

B

mat'l. code		surface	tolerance	projection	product family
1tr	ecn no	ASME Y14.5	ASME Y14.5		MEG-Array
K	date	Tolerances unless otherwise specified	ASME Y14.5		title
		angles	X ±.3	MM	Omm PLUG ASSY.
		flat	XX ±.10	scale 1:1	10 X 10 = 100 POSITION
		dr	XXX ±.050	size	sheet 3 of 3
		dr	D.WAUGHEN	84512	A4
		lengr	B.SPINK	type	CUSTOMER Drawing
		chr	B.SPINK		
		appd	B.SPINK		
sheet index	revision sheet				

form: A4mmXLC

2

3

4