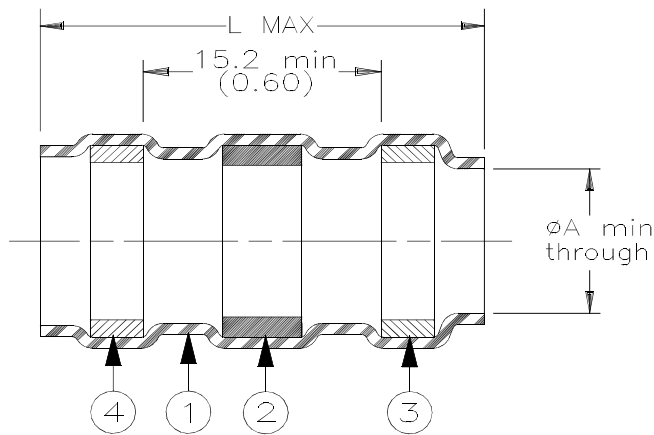


## CUSTOMER DRAWING



| Product Revisions |   | Product Dimensions |              |              | Cable Dimensions |             |
|-------------------|---|--------------------|--------------|--------------|------------------|-------------|
| Product Name      |   | L max              | A min        | B max        | C min            | D min       |
| CWT-3801          | D | 26 (1.025)         | 1.7 (0.065)  | 1.7 (0.065)  | 0.9 (0.035)      | 0.4 (0.015) |
| CWT-3802          | C | 26 (1.025)         | 1.95 (0.075) | 1.95 (0.075) | 1.1 (0.045)      | 0.6 (0.025) |
| CWT-3803          | B | 42.0 (1.655)       | 2.7 (0.105)  | 2.7 (0.105)  | 1.8 (0.070)      | 1.3 (0.050) |
| CWT-3805          | A | 42.0 (1.655)       | 4.5 (0.180)  | 4.5 (0.180)  | 2.3 (0.090)      | 1.8 (0.070) |
| CWT-3806          | B | 42.0 (1.655)       | 6.0 (0.235)  | 6.0 (0.235)  | 3.3 (0.130)      | 2.8 (0.110) |
| CWT-3807          | A | 42.0 (1.655)       | 7.0 (0.275)  | 7.0 (0.275)  | 3.7 (0.145)      | 3.2 (0.125) |
| CWT-3809          | C | 42.0 (1.655)       | 8.7 (0.340)  | 8.7 (0.340)  | 4.2 (0.165)      | 3.7 (0.145) |
| CWT-3810          | A | 42.0 (1.655)       | 9.7 (0.382)  | 9.7 (0.382)  | 6.8 (0.268)      | 6.0 (0.236) |
| CWT-3811          | C | 42.0 (1.655)       | 10.7 (0.420) | 10.7 (0.420) | 7.1 (0.280)      | 6.6 (0.260) |
| CWT-3813          | B | 42.0 (1.655)       | 13.0 (0.510) | 13.0 (0.510) | 8.9 (0.350)      | 8.4 (0.330) |

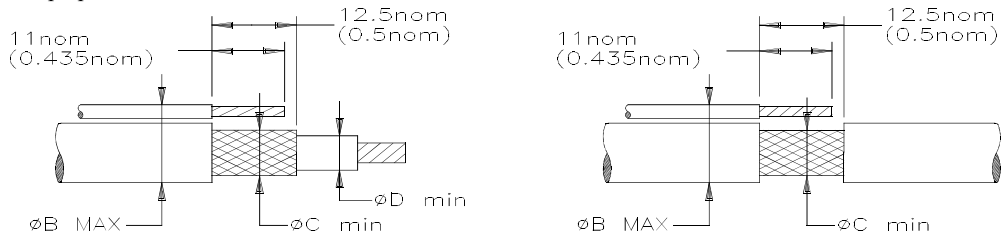
### MATERIAL

1. INSULATION SLEEVE: Heat-shrinkable, radiation cross-linked modified polyolefin. Transparent clear.
2. SOLDER PREFORM WITH FLUX:  
SOLDER: TYPE CD18 per ANSI J-STD-006.  
FLUX: TYPE ROM1 per ANSI J-STD-004.
3. MELTABLE RING: Thermally stabilized thermoplastic. Color: True Grey of Natural.
4. MELTABLE RING: Thermally stabilized thermoplastic. Color: Blue.

### APPLICATION

1. These controlled soldering devices are designed for termination of a bare or tin plated copper shield on a cable, having an insulation rated for at least +85°C minimum.
2. Temperature range: -55°C to +125°C.
3. For installation procedure and application equipment consult RPIP-824-00 or H54286.

For best results, prepare the cable as shown:



|  |  |  |  |   |                                 |                            |                                  |
|--|--|--|--|---|---------------------------------|----------------------------|----------------------------------|
|  |  | <b>Raychem Devices</b>   |  | <b>TITLE: SOLDERSLEEVE ONE STEP SHIELD TERMINATOR</b> |                                 |                            |                                  |
| <small>UNLESS OTHERWISE SPECIFIED DIMENSIONS ARE IN MILLIMETERS. INCHES DIMENSIONS ARE BETWEEN BRACKETS.</small> |  |  |  | <b>DOCUMENT NO.: CWT-38XX</b>                         |                                 |                            |                                  |
| <small>TOLERANCES:<br/>0.00 N/A<br/>0.0 N/A<br/>0 N/A</small>  | <small>ANGLES: N/A<br/>ROUGHNESS IN MICRON</small> | <small>TE Connectivity reserves the right to amend this drawing at any time. Users should evaluate the suitability of the product for their application.</small> |  | <small>DATE:<br/>15-Nov-2017</small>                  | <small>DOC ISSUE:<br/>L</small> |                            |                                  |
| <small>DRAWN BY:<br/>M. FORONDA</small>  | <small>CAGE CODE:<br/>06090</small>                | <small>REPLACES:<br/>D000675</small>   | <small>ECO No:<br/>ECO-17-016860</small> | <small>PROD. REV.:<br/>SEE TABLE</small>              | <small>SCALE:<br/>None</small>  | <small>SIZE:<br/>A</small> | <small>SHEET:<br/>1 of 1</small> |