

**CONSTRUCTION:**

**A. TWISTED SINGLES (2 PLACES)**

CONDUCTOR: AWG 22(19 / 34) SILVER PLATED COPPER ALLOY

INSULATION: ePTFE / PTFE

COLORS: WHITE x BLUE, O.D. PER SINGLE (0.080) [ (2.03) mm ]

**B. OVERALL SHIELD: AWG 40(1) SPC BRAID 92% MINIMUM COVERAGE**

**C. OVERALL JACKET: (0.003) [ (0.076) mm ] WALL EF100 PTFE**

COLOR: LASER MARKABLE WHITE

MARKING: W L GORE AND ASSOCIATES INC

PART NUMBER DXN2601

CAGE CODE [CAGE CODE]

**FUNCTIONAL CHARACTERISTICS:**

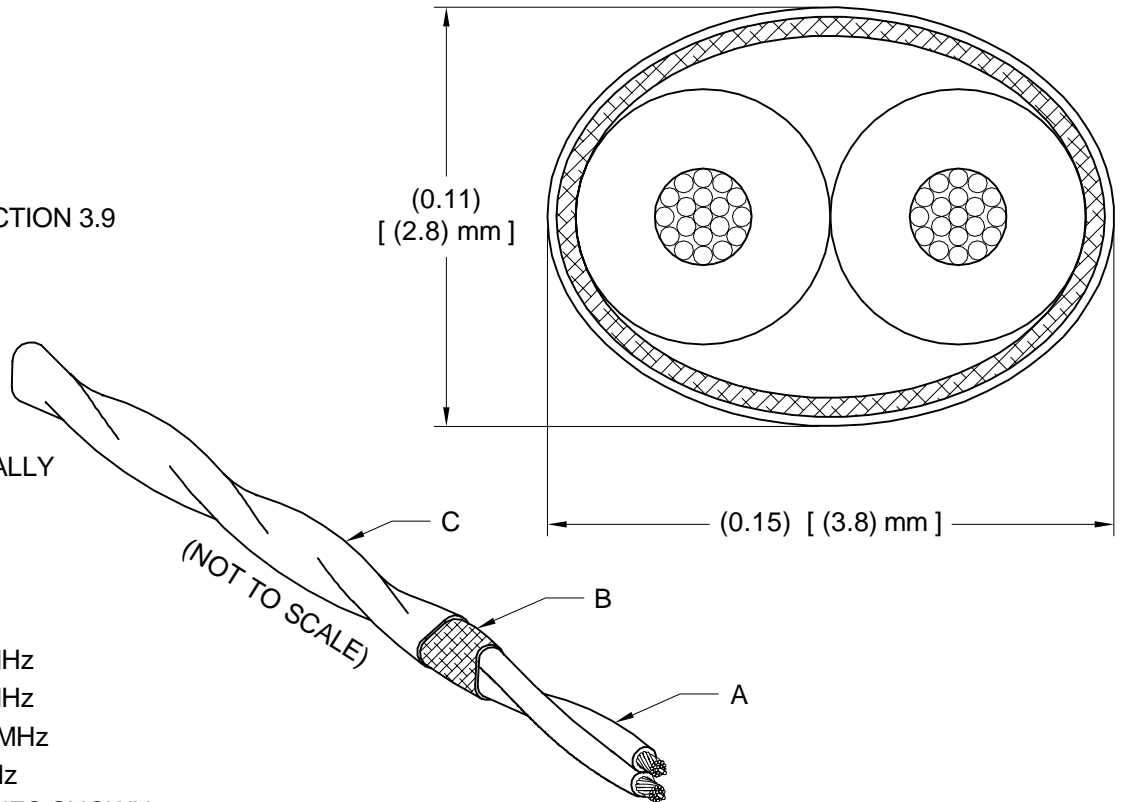
MEETS OR EXCEEDS NEMA-WC27500 SECTION 3.9

**ELECTRICAL REQUIREMENTS:**

1. IMPEDANCE: 100±10 Ω MEASURED DIFFERENTIALLY
2. TIME DELAY: (1.24) nSEC / FT [ (4.07) nSEC / m ]
3. VOLTAGE RATING: 500 V
4. VELOCITY OF PROPAGATION: (80%)
5. CAPACITANCE: (13) pF / FT [ (42.6) pF / m ]
6. TYPICAL ATTENUATION: 6.6 dB / 100 FT @ 100 MHz  
9.8 dB / 100 FT @ 200 MHz  
15.7 dB / 100 FT @ 500 MHz  
23.5 dB / 100 FT @ 1 GHz

ATTENUATIONS NOT TO EXCEED +10% OF VALUES SHOWN

REVISIONS			
Rev	Description	Date	Chg'd By
A	PRODUCTION RELEASE T.Sharp	18 SEP 2013	DED
B	Update Mechanical and Electrical Data per T.Sharp	11 NOV 2013	DED
C	EM2 ECO - 7322 M.Frantz and Update Mechanical and Electrical Data per T.Sharp	15 DEC 2016	DED
D	EM2 ECO - 7349 M.Frantz	19 JAN 2017	TKG



**NOTES:**

1. MINIMUM BEND RADIUS: 0.75 [ 19.1 mm ]
2. WEIGHT: (15.6) LBS / 1000 FT [ (23.2) Kg / Km ]
3. OPERATING TEMPERATURE: -55° C TO +200° C

PARENTHESES DENOTE REFERENCE DIMENSIONS	
DIMENSIONS ARE IN INCHES	UNLESS OTHERWISE SPECIFIED
DO NOT SCALE DRAWING	.X ± N/A
DEBURR SHARP EDGES	.XX ± N/A
	.XXX ± N/A
Third Angle Projection	.XXXX ± N/A
INTERPRET DRAWING IN ACCORDANCE WITH ASME Y14.5M-1994 (R1999)	FRACTIONS ± N/A
	ANGLES ± N/A
	SURFACE TEXTURE N/A ✓
	BREAKS AND FILLETS N/A MAX



W. L. GORE & ASSOCIATES, INC. (Gore)  
Performance Solutions Division  
380 Starr Road, Landenberg, PA 19350 610 / 268-1000

© 2013, 2017 W. L. Gore & Associates, Inc.

By acceptance of this document you agree that all rights to drawings, specifications, processes and other data contained therein, as well as the proprietary and novel features of the subject matter, are reserved by Gore and are disclosed in confidence. They are not to be manufactured, used, sold or disclosed to others, nor are devices embodying such features or information derived from these disclosures to be used or disclosed, unless and until expressly authorized by Gore. These drawings, specifications, processes, etc., are and remain the property of Gore and are not to be copied or reproduced without express permission, and are to be returned upon request therefor.

Title				
AWG 2219 100 Ω SHIELDED TWISTED PAIR				
Dwg Size	Sheet	Scale	Associated Documents	Drawn
A	1 of 1	16:1	N/A	DED
Rev Date	Drawing Number		Rev Level	
19 JAN 2017	DXN2601		D	